

The Most Simple Cabling for Speed Dome

video
Audio
Power
Data



All in One

Transmit the Power/Video/Audio/Data via a single coaxial cable.



High Power

Provide AC24V/2A or DC12V/4A or DC24V/2A high current power.



Long Distance

Up to 1Km transmission distance via coaxial cable.



Surge Protection

Built in surge protector for best outdoor usage.



Secure

Secure the video single by RF Modulation transmission.



Interference

Superior interference immunity.



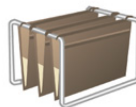
Indicator

LED indicator to show the status of Power, Video, Data transmission.



Power Backup

Centralized power management through UPS at DVR site, no worry for power blackout.



Rack Mount

Supports 19"rack mount.



Safety

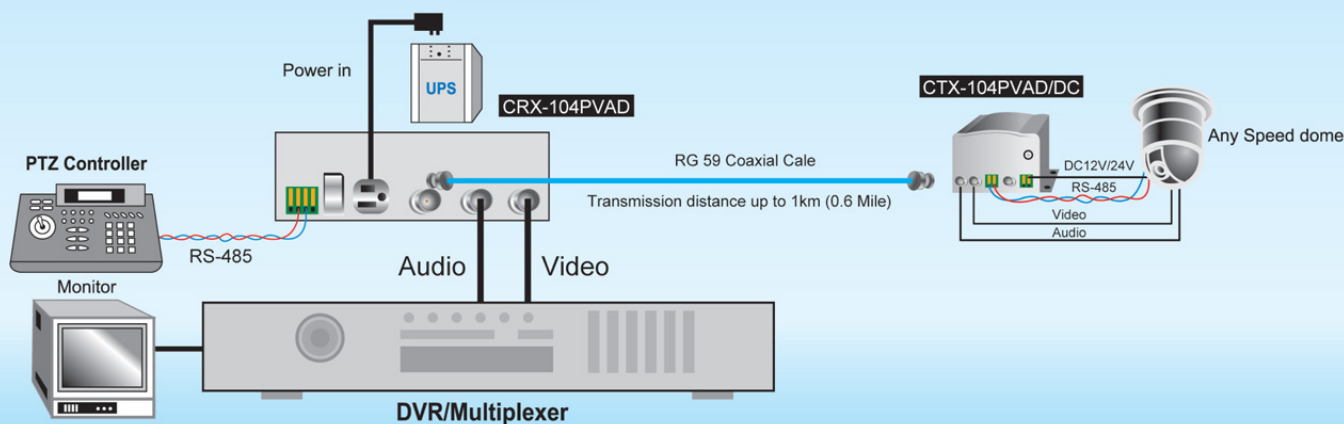
Safer power construction via AC65V/1A transmission.

Specification:

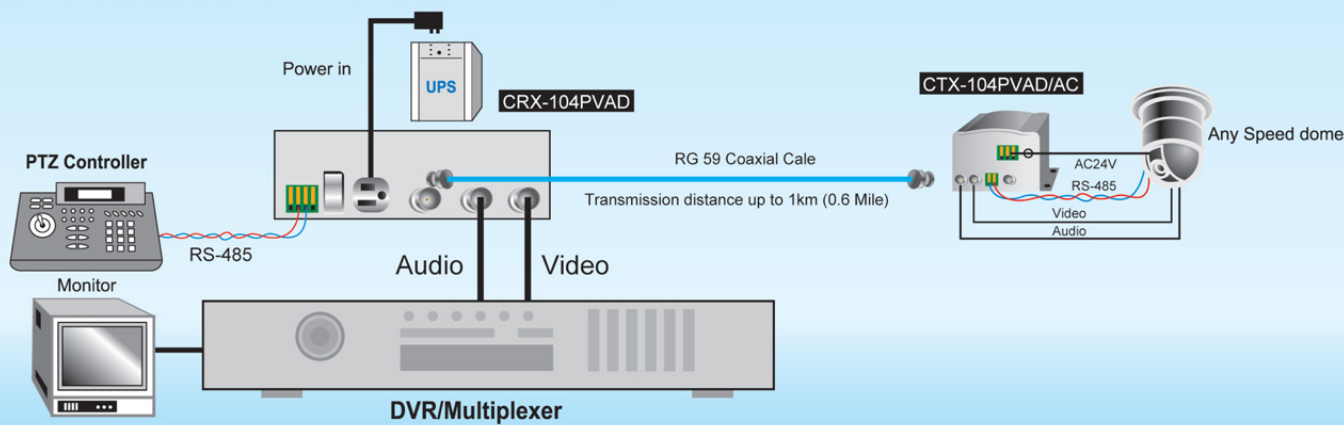


Item/Model	CRX-104PVAD	CTX-104PVAD/DC	CTX-104PVAD/AC
Signal	Power/Video/Audio/Data		
Communication Type	RF Modulation / RF Demodulation		
Transmission Distance	Output Level: 110dBm; up to 1 Km (@ RG59 coaxial cable with 6Ω/100M impedance)		
Impedance	F connector: 75 Ohm; BNC connector: 75 Ohm		
Video / Audio	Video: 1 Vp-p 75 Ohm; Audio: 3 Vp-p, 100K (Max.)		
RS-485	Half Duplex; 2400-38400 bps		
Power Output	AC 80V/ 65V	DC 12V/4A, DC24V/2A	AC24V/2A
Surge Protection	DC Breakdown Voltage: 350V ± 15% (@rising voltage 100V/s) Impulse Breakdown Voltage: ≤ 700V (@rising voltage 1KV/μs) Insulation Resistance: ≥ 10000MΩ		
Indicator	Red: Data failed, Green: Video/Audio failed, Orange: Power/Video/Audio/Data OK		
Environmental	Temperature: -10 °C ~ 60°C; Humidity: 0~95 % (Non-Condensing)		
Dimension (L x W x H)	200 x 145 x 44 mm	122 x 100 x 65 mm	162 x 100 x 65 mm
Weight	2 Kg	0.65 Kg	0.85 Kg

Power/Video/Audio/Data Transmission



Power/Video/Audio/Data Transmission



Wired New Zealand Limited

Unit B, 2 Centennial Highway, Ngauranga, Wellington

Ph: 04 499 4110, Fax: 04-499 4114

email: sales@wirednz.co.nz web: www.wirednz.co.nz



www.wirednz.co.nz