

Model BFS-4616VPS (12VDC output)

Features

16-CH Power Supply Passive Video Receiver Hub

- Provides camera power while receiving video transmission both over a single 4-pair UTP cat5e/6 cable
- Color video up to 1300ft(400m) via UTP cat5e/6
- Power camera; Max 1A per channel
- Transmit 12VDC power up to 750ft /250m
- Use with BFS-4301VP (transmitter unit) at camera
- BNC male and RJ45 Jack
- NTSC, PAL & SECAM video format compatible;
- Real-time transmission;
- Exceptional interference rejection;
- Built-in TVS(Transient Voltage Suppressors) for surge protection
- Lightning protection design Grade: III
- Wave Filter Design, Anti-Static Design
- Black galvanized housing
- Rack, wall mountable and desk installation with 4 rubber feet



Overview

The BFS-4616VPS is a key hybrid component that consolidates all CCTV system cabling using standard EIA/TIA 568B structured building wiring. Designed for installation in the IDF/Telecom Closet or MDF/Equipment Room. The Power Supply Passive Video Receiver Hub provides 12VDC power to camera while worked with BFS-4301VP (transmitter unit).Power transmission distance reach up to 750ft(250m).

Applications

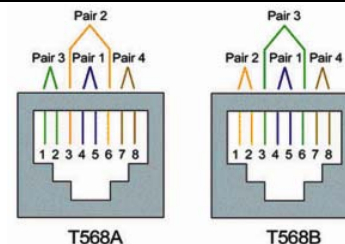
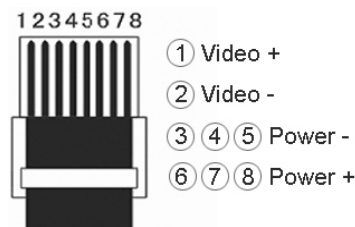
- Security Monitoring System
- Multimedia Network Teaching System
- Medical Monitoring Display System
- Industrial Automation Control System
- Banking, securities, financial information display system
- Remote Network Server Monitoring
- Department Store Security
- Casino Security
- Hospitals, Airports and banks
- School Campuses

Wire and Cable Recommendations

BFS-4616VPS is recommended to use with Unshielded Twisted Paired (UTP) wiring from 24AWG through 22AWG. Individually shielded pairs should be avoided, as they reduce the operating range of the systems drastically. Multi-pair cable (25-pair or more) with an overall shield are acceptable. Video signals can coexist in the same wire bundle as telephone, datacom, or low-voltages power circuits. While video may be routed through telephone punch-down block terminals, any bridge-taps, also called T-taps and any resistive, capacitive or inductive devices **MUST BE** removed from the pair.

For more specific information regarding wire types, gauges and proper installation techniques, please contact us for technical assistance.

	1	2	3	4	5	6	7	8
T568A:	White Green	Green	White Orange	Blue	White Blue	Orange	White Brown	Brown
T568B:	White Orange	Orange	White Green	Blue	White Blue	Green	White Brown	Brown

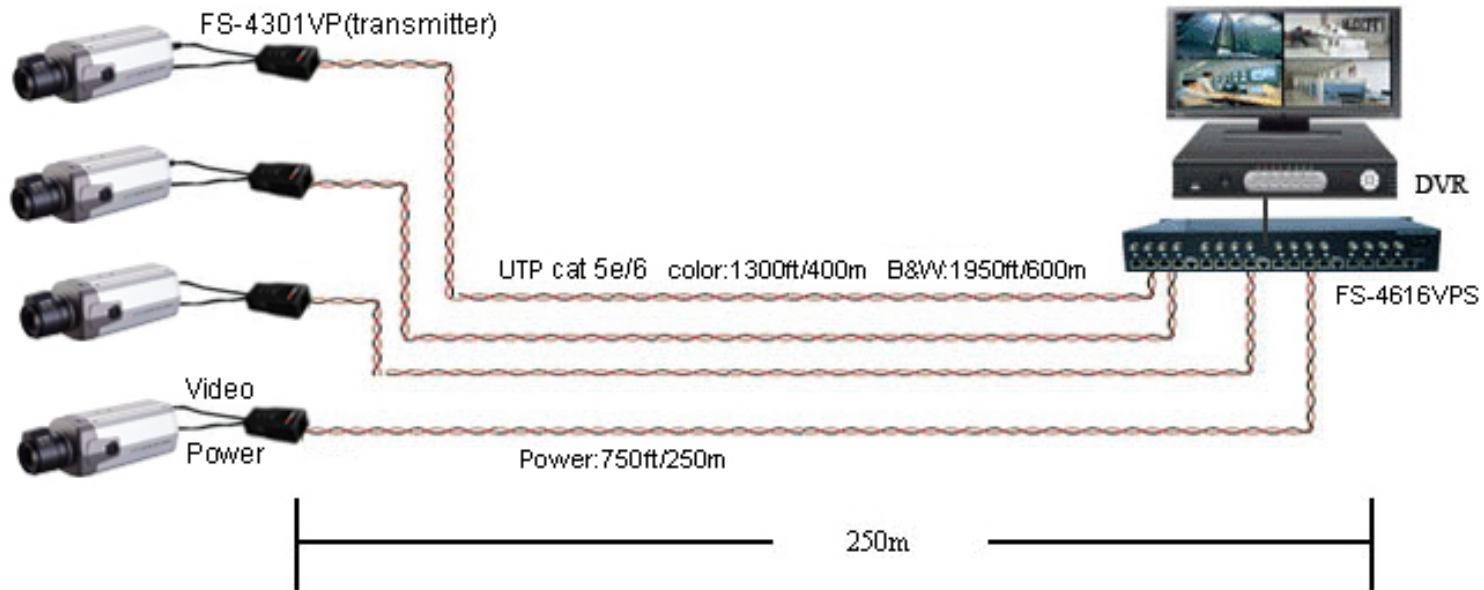


Technical Specifications

Model		BFS-4616VPS (12VDC output)	
Product Name		16- Channel Power Supply Passive Video Receiver Hub	
Applied Devices		CCTV cameras, monitors, DVR, switchers, IP encoders, and other CCTV equipment	
Video	Video Format	PAL, NTSC, SECAM	
	Operating Frequency	DC to 5MHz	
	Max Distance	UTP Category 5e (24AWG) Color: 1300ft(400m) B&W: 1950ft(600m)	
	Common-mode/Differential-mode rejection	15 KHz to 5 MHz 60 dB typ	
	Impedance	Coax, Male BNC	75 ohms
		UTP,RJ45	100 ohms
Attenuation	0.5 dB typ		
Wire Type	Network Wiring	One Unshielded Twisted Pair (for each video signal) 24-16 AWG (0.5-1.31mm)	
	Category Type	2 or better	
	Impedance	100 ± 20 ohms	
	DC Loop Resistance	52 ohms per 1,000ft (18 ohms per 100m)	
	Differential Capacitance	19 pF/ft max (62 pF/m max)	
Power	Power Input	No external power required	
	Power transmission	12VDC, up to 750ft(250m) via UTP cat5e/6	
Connector	Video input	RJ45 Jack	
	Video output	Female BNC connector	
Protection	Surge Protection	Built-in Transient Voltage Suppressor(TVS)	
	Antistatic	YES	
Mechanical	Dimensions(L*W*H)	493*170*44.5mm (BNC connector & mounting bracket excluded)	
	Housing	Black galvanized	
	Body Color	Black	
	Net Weight	3220g	
Environmental	Operating Temperature	-25° ~ 75° C	
	Relative Humidity	0~95% (non-condensing)	
	Storage Temperature	-40° ~ 150° C	

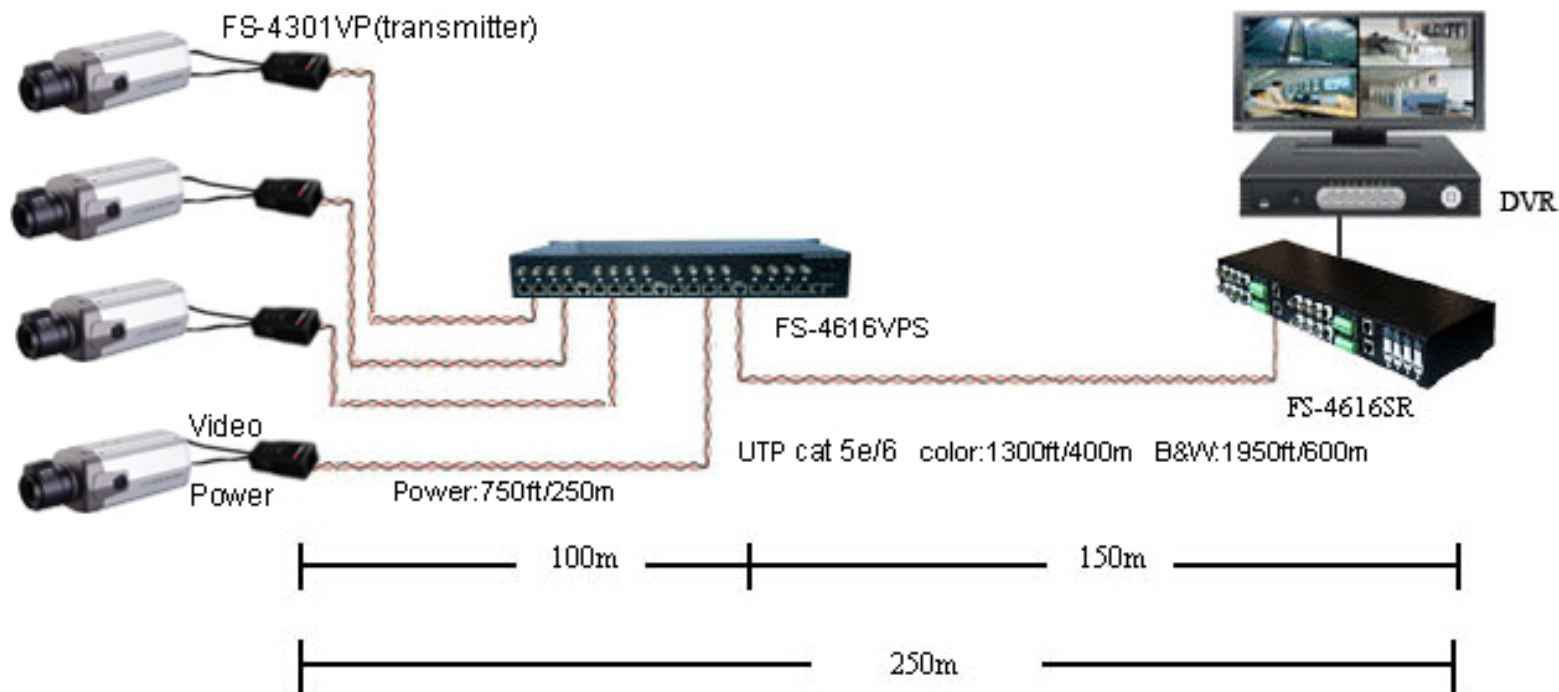
Application Diagram

Diagram 1



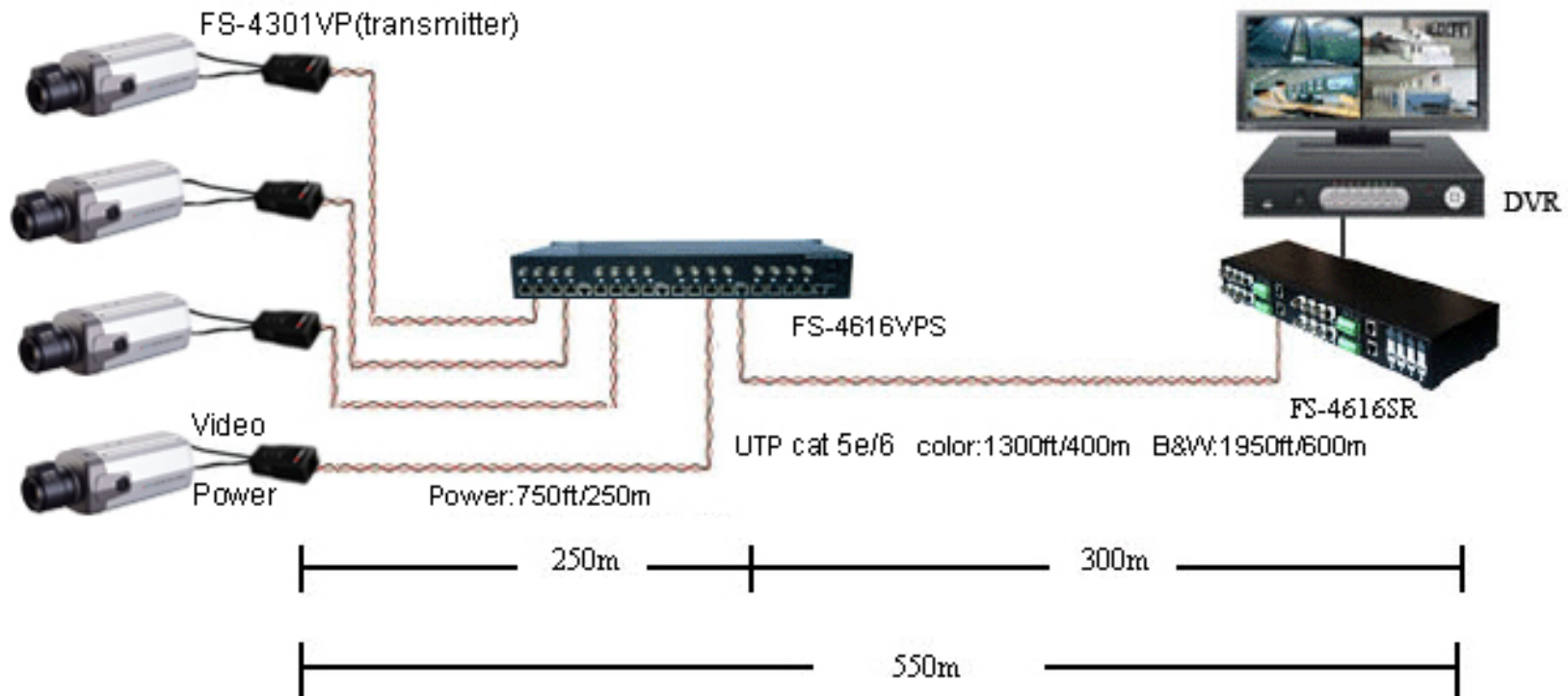
distance between camera and FS-4616VPS: 250m. 16CH cost $16 \times 250m = 4000m$ cat5/5e;

Diagram 2



distance between camera and FS-4616VPS: 100m. 16CH cost $16 \times 100\text{m} = 1600\text{m}$ cat5/5e;
distance between FS-4616VPS and FS-4616SR/DVR: 150m, after adopt 4 in 1 function, it
takes only $4 \times 150\text{m} = 600\text{m}$ cat5/5e, so in total it cost only $1600\text{m} + 600\text{m} = 2200\text{m}$ cat5/5e cable.

Diagram 3



via this diagram, the color video reach actually at least 500m.